

Firefly Multi-Hold Clip



Material: Galvanised Spring Steel EN10270 -1-SL-ZN
Melt point: Over 1000°C.

The Firefly Multi-Hold cable management system is a high-temperature resistant, fire safety metal clip designed to securely hold cables in place and to prevent premature collapse in the event of fire. It is compliant to **BS7671**. It can be fixed in place by masonry screws and M10 threaded rod galvanised studding.

The Firefly Multi-Hold Clips are spring loaded to keep cables securely in position in the event of fire. These versatile high specification cable retention clips are perfect for fast installation and ease of use and **re-use**. Adding or removing cables could not be easier, simply open and close.

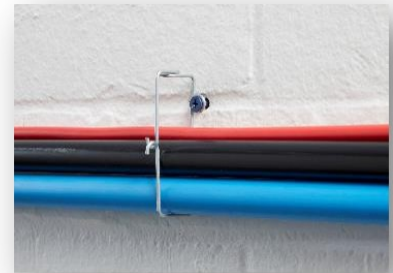
Firefly Multi-Hold Clips are an important aid to survival in the event of fire. They can be fitted to walls ceilings in new building and to bring older installations to fully compliancy.



100mm x 30mm

75mm x 25mm

- ✓ Fast, easy installation in concrete, steel and timber, with studding option.
- ✓ Multiple use – cables, water pipes, air lines.
- ✓ Unique open and close feature – cables can be added or removed in situ.
- ✓ Perfect for use in tower blocks and within voids.
- ✓ Can replace narrow cable tray above ceiling tiles, making cables fire-safe.
- ✓ For both temporary and permanent installations on construction sites and along Heras fencing.



Part No.	Description	Pack Qty
FFMHC75	Zinc-plated multi-hold, multi-use hanger. Frame size 75mm x 25mm	50
FFMHC75-2000	Zinc-plated multi-hold, multi-use hanger. Frame size 75mm x 25mm (alternative to plastic trunking)	2000
FFMHC100	Zinc-plated multi-hold, multi-use hanger. Frame size 100mm x 30mm	50

Firefly Multi-Hold Clip



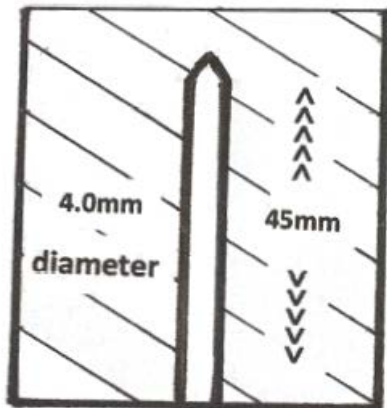
Fitting Instructions

Firefly Multi-Hold Clips FFMC 75 and FFMC 100 designed for installing overhead with M10 threaded stud. Can also be installed using the standard supplied Concrete, Masonry Self Tap Screw and the supplied Steel Washer.

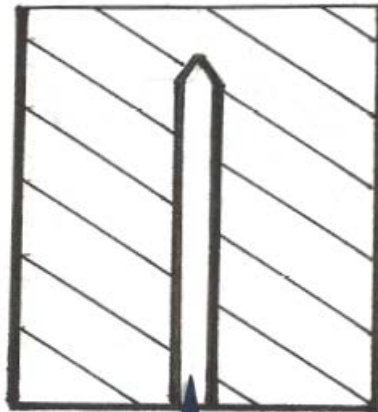
Looking at Step 2, place a supplied Concrete Masonry Self Tap Screw through the supplied Steel Washer, then through the clip top fixing. Tighten the screw fully onto the washer and clip. See Step 3. The Firefly Multi-hold Clip will be securely held in position between the washer and the substrate materials.

Using Supplied Countersunk 45mm x 5.25mm hard Masonry Self Tap Screws.

Step 1



Step 2



Step 3

